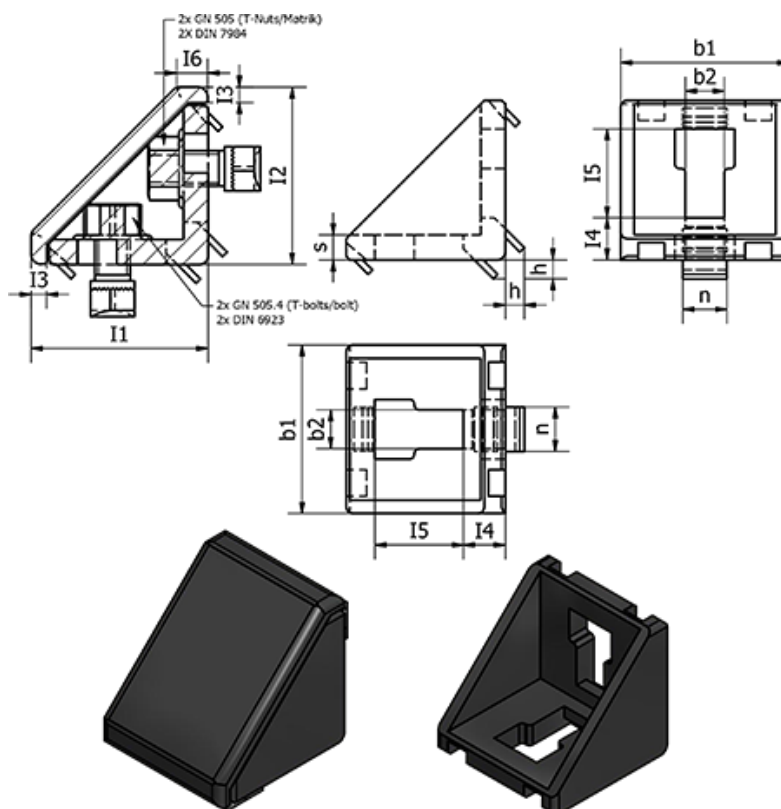


Article number: 209603083030AMT

Description: Angle pieces for profile systems - GN 960-30-8-30-30-A-MT

## Measures



b1 = 28	I6	= 6.8
b2 = 6.3	n	= 8
h = 2.1	s	= 5.9
I1 = 30	Weight (g)	= 23
I2 = 30		
I3 = 3		
I4 = 9.7		
I5 = 10.4		